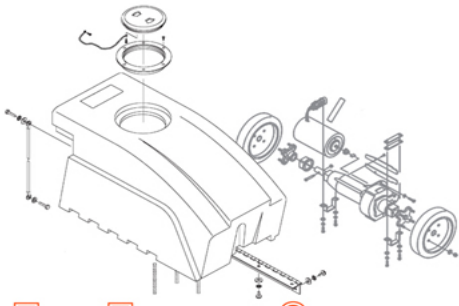


Minuteman[®]



FLOOREQUIPMENTPARTS.COM



Parts Manual

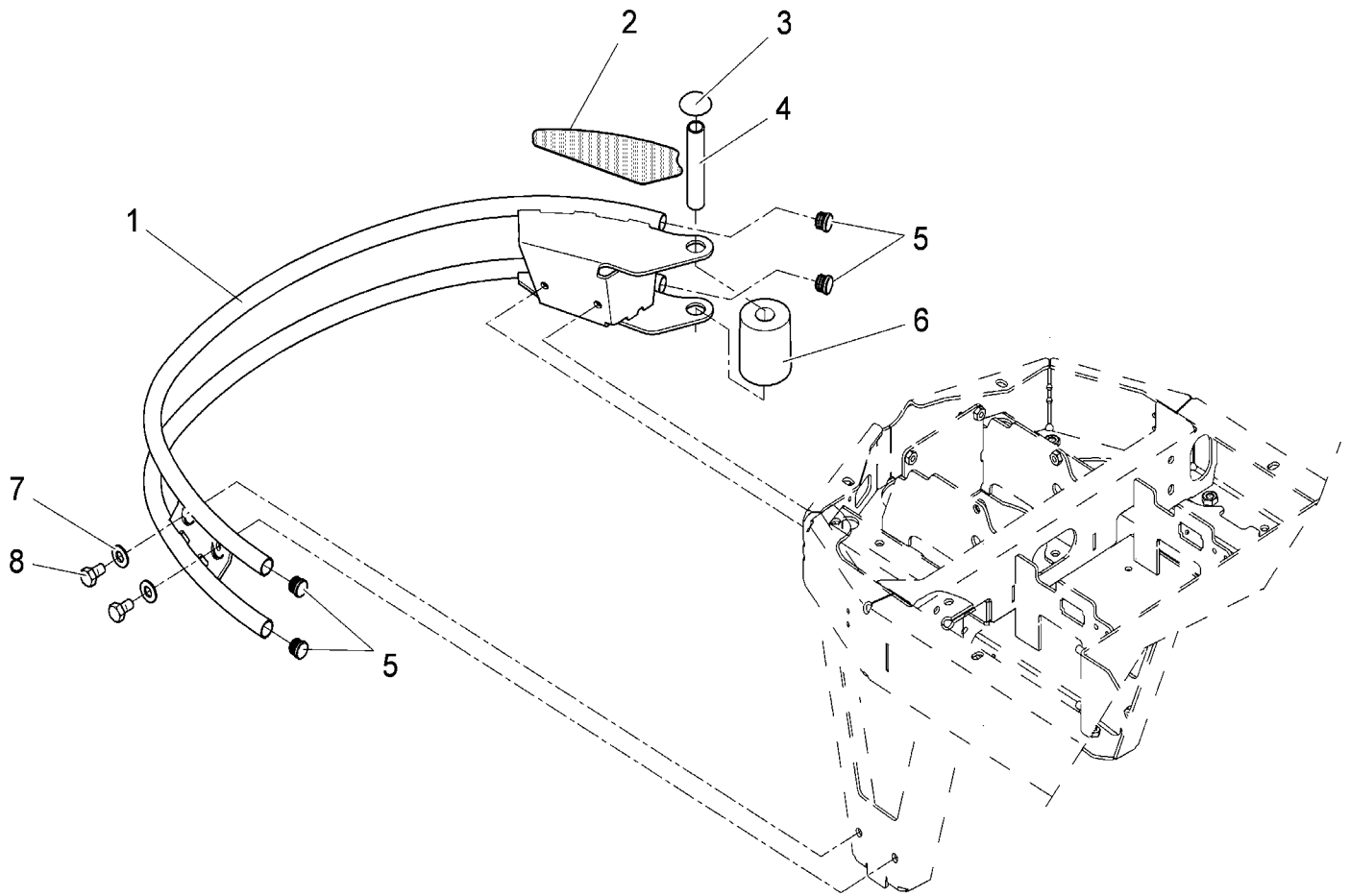
E Ride 30 Riding Scrubber

For Safety When Servicing or Maintaining Machine

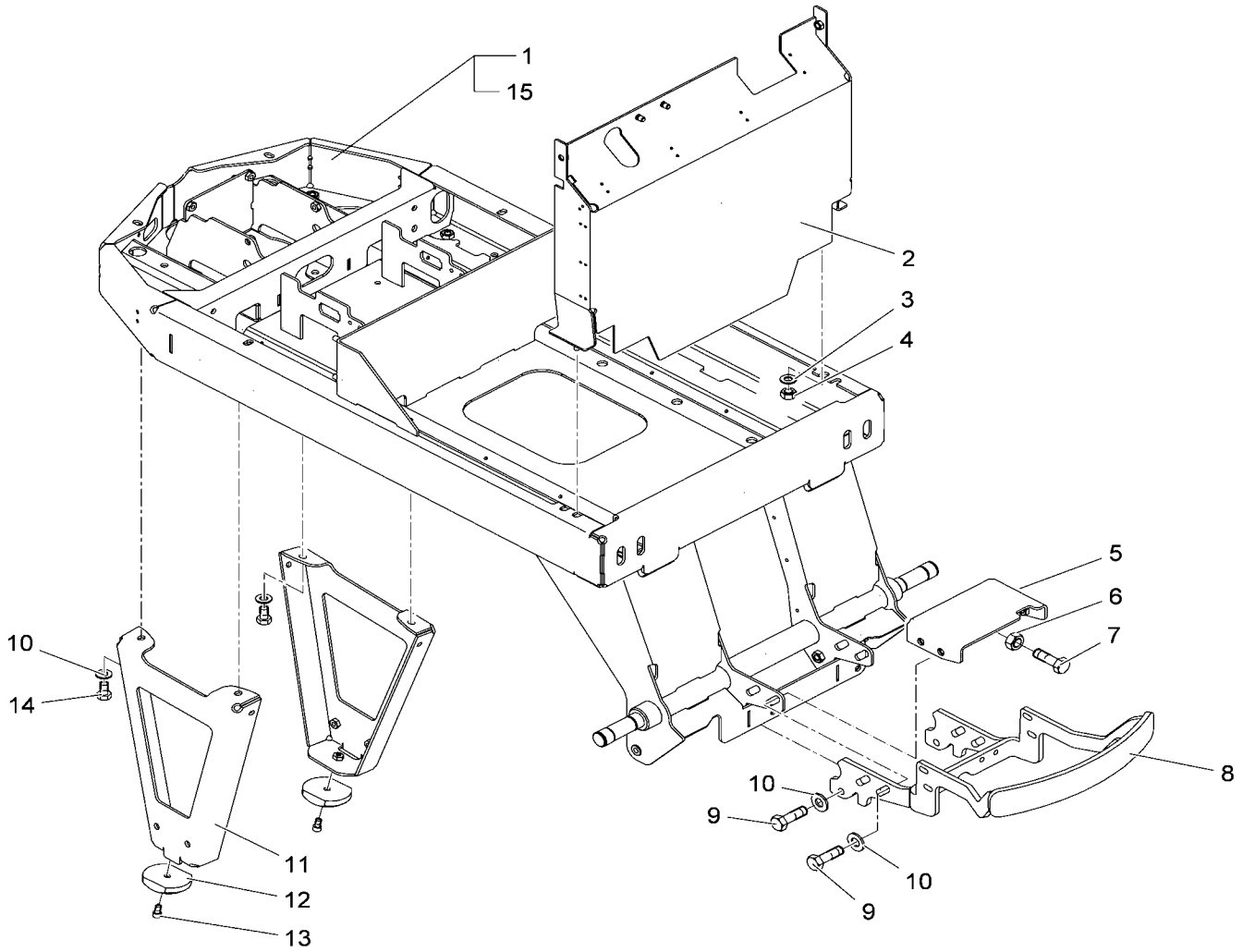
- Stop on level surface.
- Disconnect the power to the machine by pulling the red Battery Connector located under the recovery tank near the batteries.
- Avoid moving parts. Do not wear loose jackets, shirts, or sleeves when working on machine.
- Avoid contact with battery acid. Battery acid can cause burns. When working on or around batteries, wear protective clothing and safety glasses. Remove metal jewelry. Do not lay tools or metal objects on top of batteries.
- Do not clean machine with a pressure washer.
- Authorized personnel must perform repairs and maintenance. Use Minuteman supplied replacement parts.

Table of Contents

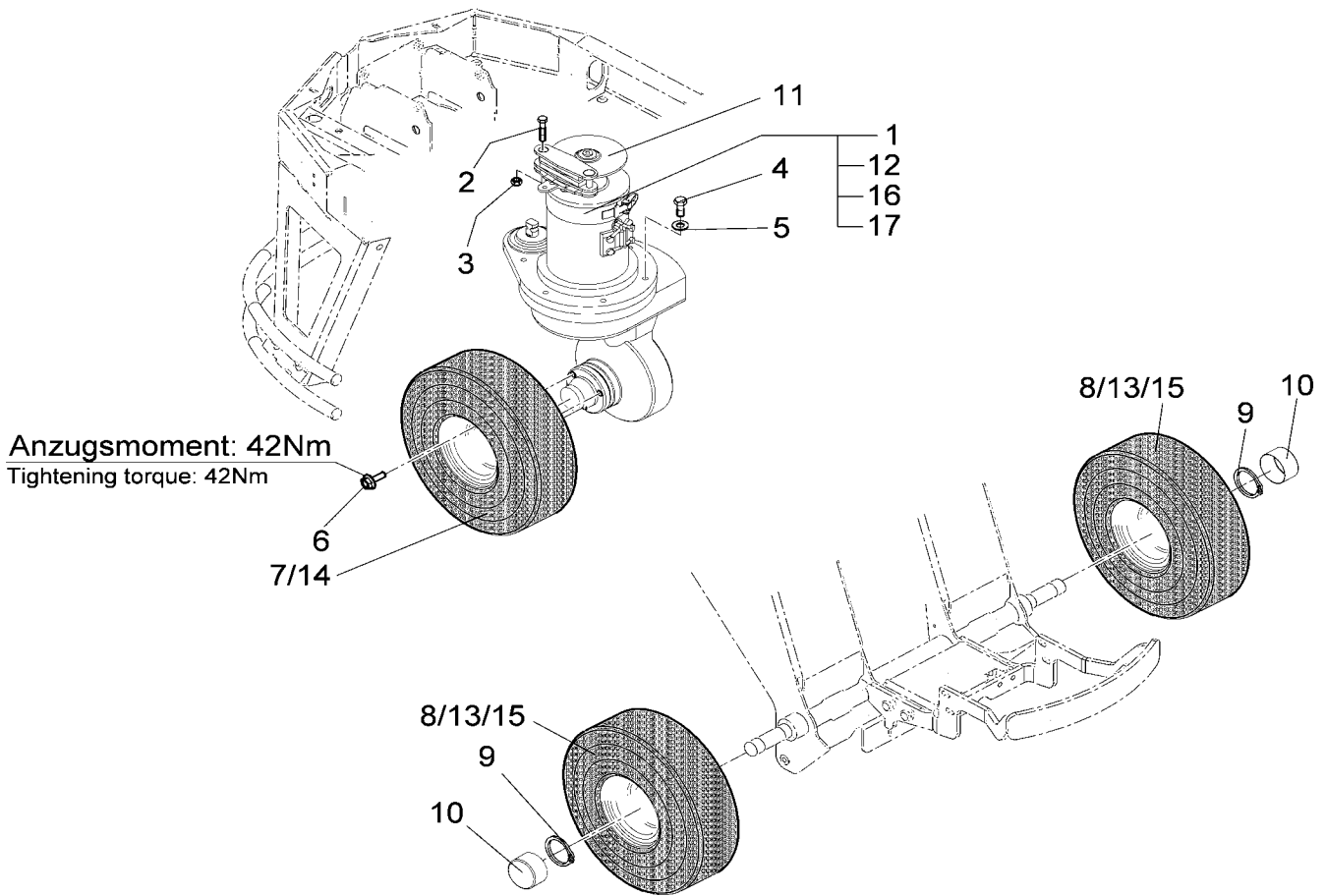
FrontBumper Assembly	1
Chassis Assembly	2
Wheel Suspension Assembly	3
Steering Console / Dash Board Assembly	4
Steering Console / Dash Board Assembly BOM	5
Accelerator Pedal Assembly	6
Accelerator Pedal Assembly BOM	7
Brake Pedal & Parking Brake Assembly	8
Brake Pedal & Parking Brake Assembly BOM	9
Steering Column Assembly	10
Steering Column Assembly BOM	11
Seat Assembly & Mounting Bracket	12
Seat Assembly & Mounting Bracket BOM	13
Solution Recovery Tank Assembly	14
Solution Recovery Tank Assembly BOM	15
Cover Tank Assembly	16
Cover Tank Assembly BOM	17
Vacuum Motor Assembly	18
Vacuum Motor Assembly BOM	19
Srub Head Lift & SolutionPump Assembly	20
Srub Head Lift & Solution Pump Assembly BOM	21
Disk Scrub Head Assembly	22
Disk Scrub Head Assembly BOM	23
Side Squeegee LH & RH Assembly	24
Side Squeegee LH & RH Assembly BOM	25
Squeegee Lift Assembly I	26
Squeegee Lift Assembly I BOM	27
Squeegee Lift Assembly II	28
Squeegee Lift Assembly II BOM	29
Squeegee Assembly I	30
Squeegee Assembly I BOM	31
Squeegee Assembly II	32
Squeegee Assembly II BOM	33
Control Box Electrical	34
Control Box Electrical BOM	35
Drive Control Contactor Assembly	36
Drive Control Contactor Assembly BOM	37
Decals	38
Warrenty Page	40



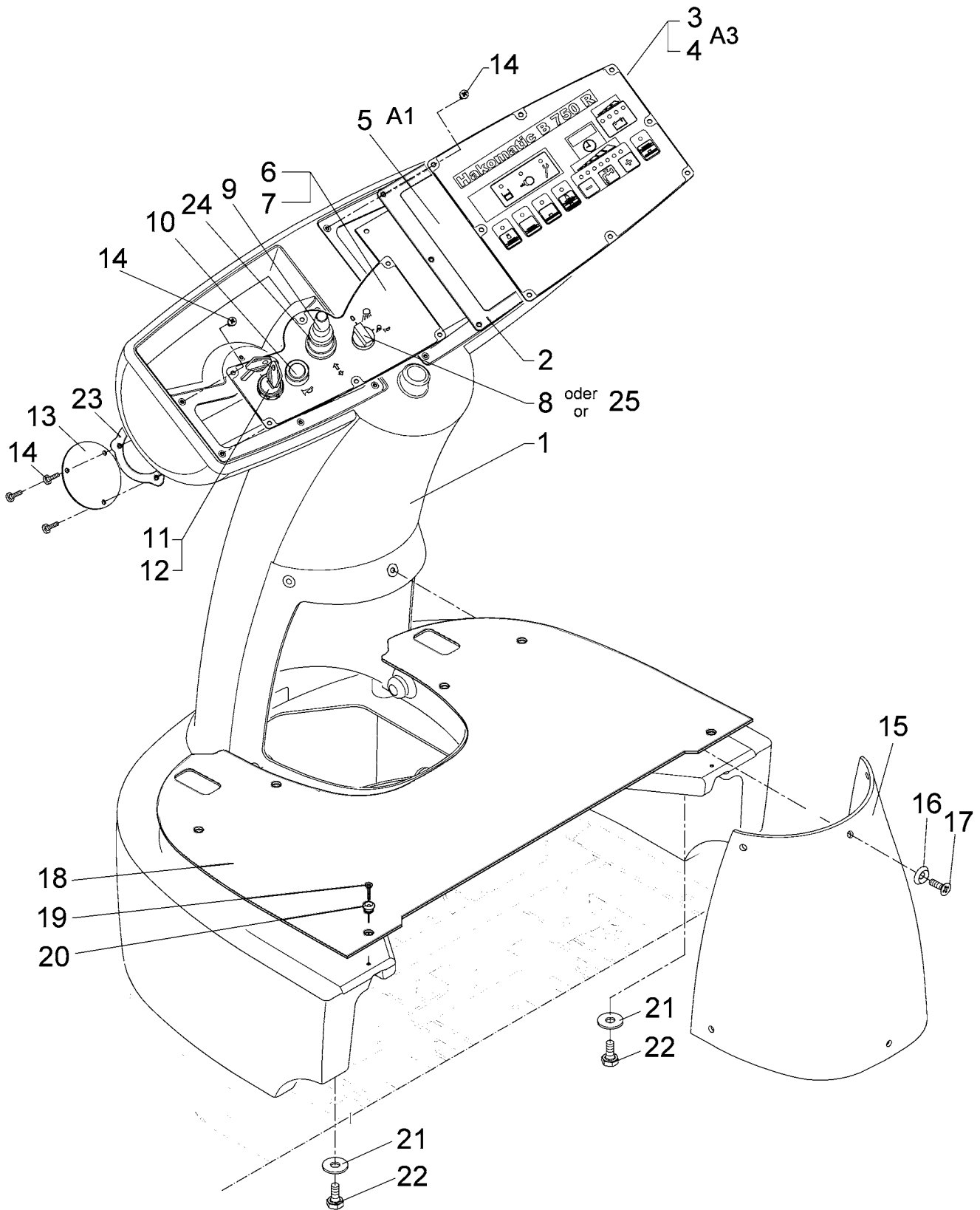
E Ride 30 (99709031) Rev.00 11/13/08				
97077952 Front Bumper				
Item	Spare part number	Description	Qty.	Notes
1	01071630	Tube bow	1	
2	01071230	Decal	1	
3	00072270	Thrust washer	1	
4	00901590	Pipe	1	
5	01073310	Drain plug	4	
6	01057290	Rejecting role	1	
7	00740090	Detent edged washer	2	
8	00053090	Hexagon screw	2	



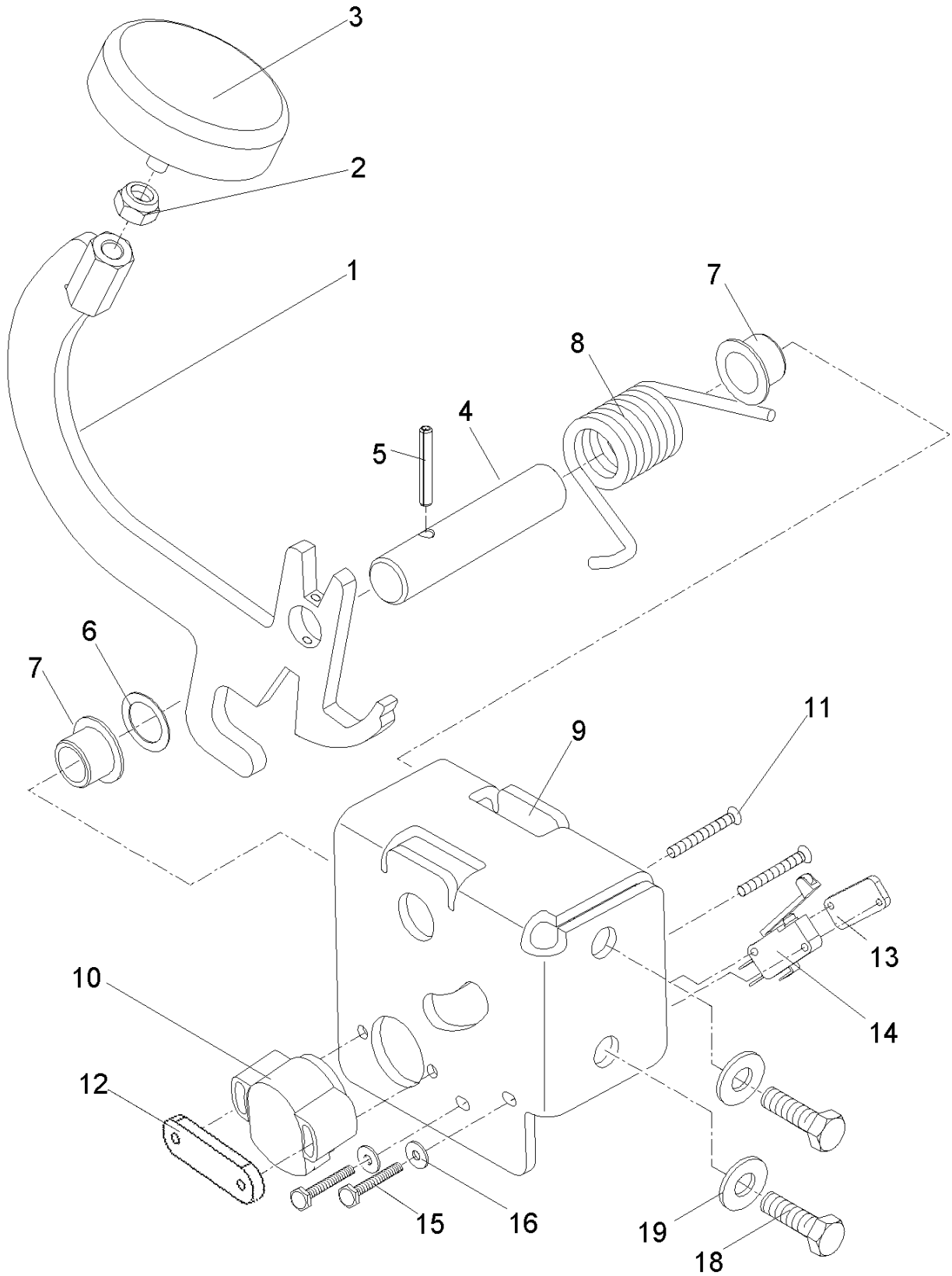
E Ride 30 (99709031) Rev.00 11/13/08				
97092233 Chassis				
Item	Part number	Description	Qty.	Notes
1	03000250	Chassis	1	
2	03000260	Sheet metal	1	
3	00740090	Detent edged washer	4	
4	00053350	Hexagon nut	4	
5	03000270	Plate, cpl.	1	
6	00053360	Hexagon nut	1	
7	00053170	Hexagon screw	1	
8	01071640	Starting protection rear side	1	
9	00053160	Hexagon screw	4	
10	00740290	Detent edged washer	8	
11	01071240	Supporting plate	2	
12	01070970	Stay	2	
13	00154410	Cylinder head screw	2	
14	00021130	Hex.bolt	4	
15	03006920	Chassis	1	



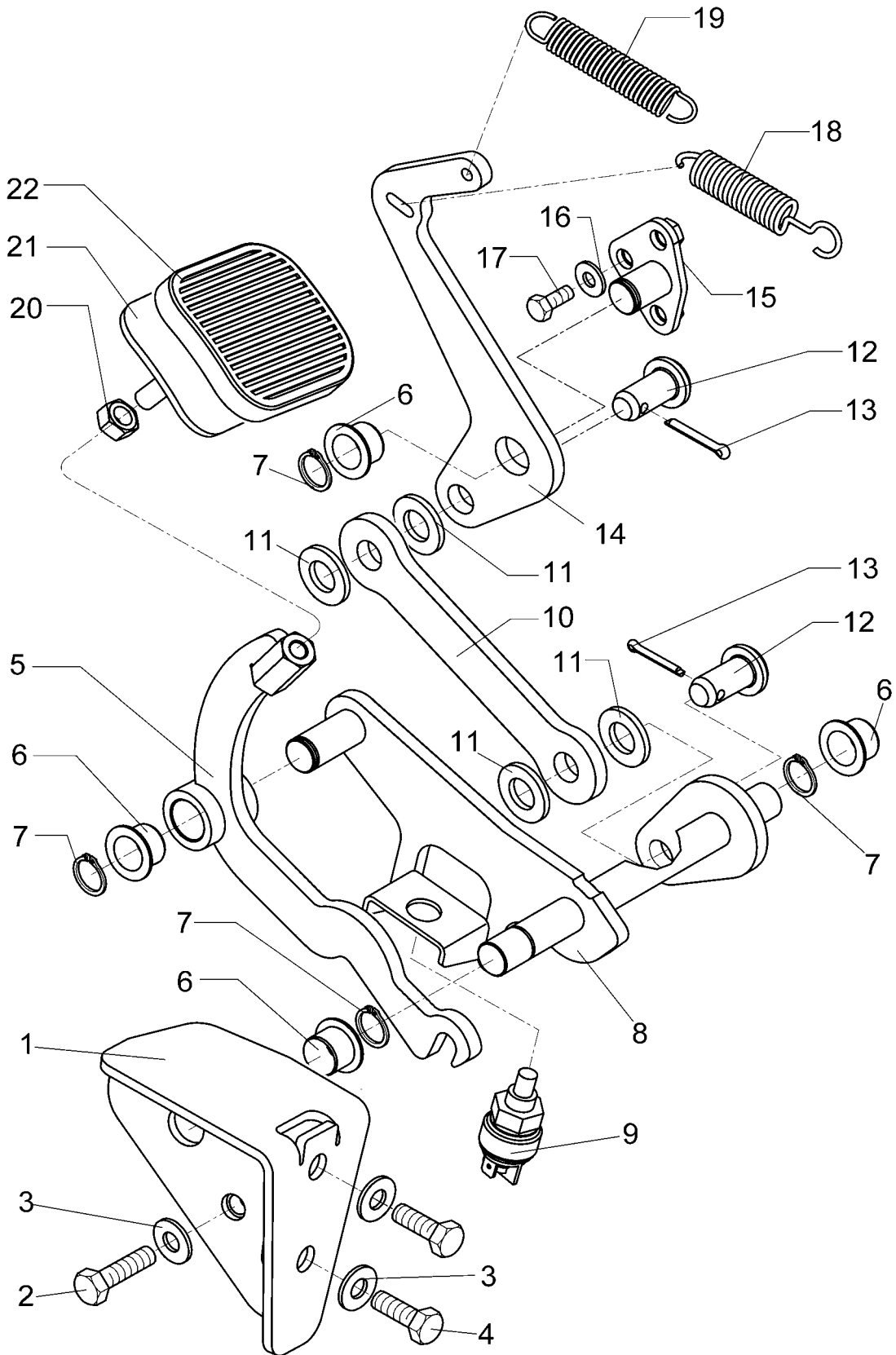
E Ride 30 (99709031) Rev.00 11/13/08				
97073803 Wheel suspension				
Item	Part Number	Description	Qty.	Notes
1	01070960	One wheel drive	1	
2	00535110	Hex.bolt	2	
3	00051520	Hexagon nut	2	
4	00055460	Hex.bolt	6	
5	00740290	Detent edged washer	6	
6	01171260	Hexagon screw	3	Tightening torque: 42 Nm
7	01070950	Front wheel, cpl.	1	
8	01070940	Rear wheel, cpl. incl. ball bearing	2	
9	00022460	Retaining ring	2	
10	01071250	Cap	2	
11	01073660	Brake repair set	1	
12	01075790	Set (4pc.) carbon brush	1	
13	00281050	Deep groove ball bearing	4	
14	01076120	Rim front	2	
15	01076130	Rim rear	2	
16	01174180	Cap	1	
17	01174190	Protecting ring	1	



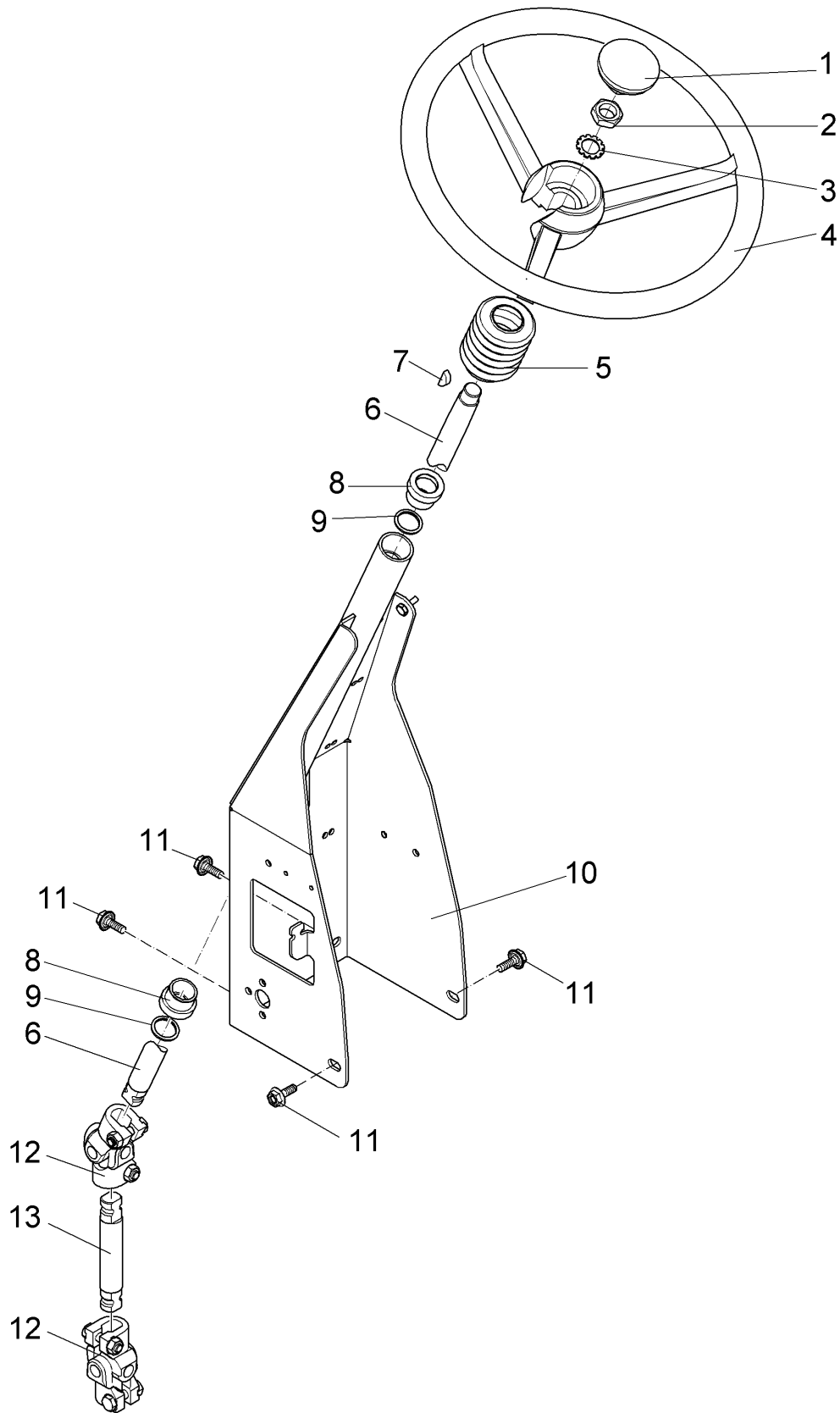
E Ride 30 (99709031) Rev.00 11/13/08				
97100796-97077002 Steering Console / Dash Board				
Item	Part Number	Description	Qty.	Notes
1	01073070	Steering	1	
2	01070980	Seal	1	
3	01071660	Sheet metal	1	
4	00712220	Control panel	1	
5	00712160	Control unit	1	
6	01071670	Sheet metal	1	
7	01070990	Seal	1	
8	01073320	Rotary switch	1	from option 7091: Warning light "Forward drive"
9	00697630	Switch	1	
10	00133770	Press switch	1	
11	00021710	Key switch	2	
12	00745890	Set (2pc.) key	1	
13	XXXXXXXX	no part-No. til yet	1	90535972 Cap
14	01072790	Truss head screw	17	
15	01170930	Hood	1	
16	00157690	Annular plate	6	
17	00154680	Countersunk screw	1	
18	01071680	Bottom plate	1	
19	01073120	Amtec screw	6	
20	01073130	Knob	6	
21	00740080	Washer	4	
22	00053080	Hexagon screw	1	
23	01072000	Seal	1	
24	01074110	Rubber cap	1	
25	00740360	Cable sleeve	1	



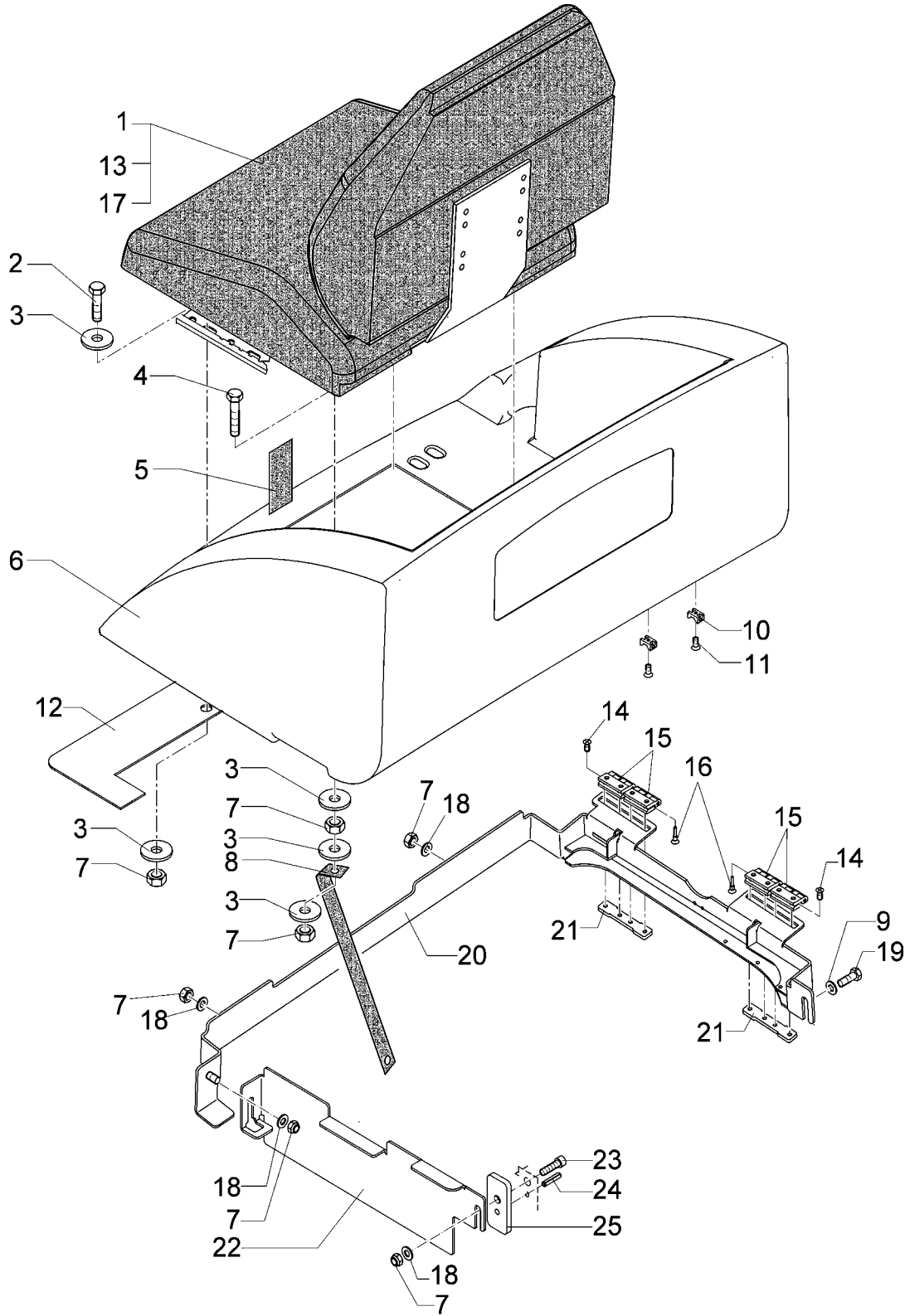
E Ride 30 (99709031) Rev.00 11/13/08				
97073688 Accelerator Pedal				
Item	Part Number	Description	Qty.	Notes
1	01071260	Cam	1	
2	00053350	Hexagon nut	1	
3	01071270	Sealing cover	1	
4	01071280	Shaft	1	
5	01073260	Dowel pin	1	
6	00906020	Adjusting washer	1	
7	01058400	Plain bearing bush	2	
8	01073140	Leg spring	1	
9	03000300	U-bow	1	
10	01058390	Potentiometer, cpl.	1	
11	00737690	Screw	1	
12	01074850	Thread base plate	1	
13	01074840	Thread base plate	1	
14	00975510	Micro switch	2	
15	00022180	Hex.bolt	2	
16	00747400	Washer	2	
18	00053090	Hexagon screw	2	
19	00740090	Detent edged washer	2	



E Ride 30 (99709031) Rev.00 11/13/08				
97075386 Brake Pedal & Parking Brake				
Item	Part Number	Description	Qty.	Notes
1	03000310	Angle, cpl.	1	
2	00053110	Hexagon screw	1	
3	00740090	Detent edged washer	3	
4	00053090	Hexagon screw	2	
5	01071290	Lever	1	
6	01058400	Plain bearing bush	5	
7	00022440	Retaining ring	4	
8	01071300	Lever	1	
9	00028680	Stop light switch	1	
10	01071310	Bracket	1	
11	00053770	Washer	4	
12	00901510	Bolt	2	
13	00553580	Cotter pin	2	
14	01071320	Lever	1	
15	01071330	Pin	1	
16	00730940	Detent edged washer	3	
17	00104500	Hexagon screw	3	
18	00127400	Tension spring	1	
19	00851210	Tension spring	1	
20	00053350	Hexagon nut	1	
21	01071340	Pedal plate	1	
22	01071350	Pedal rubber	1	

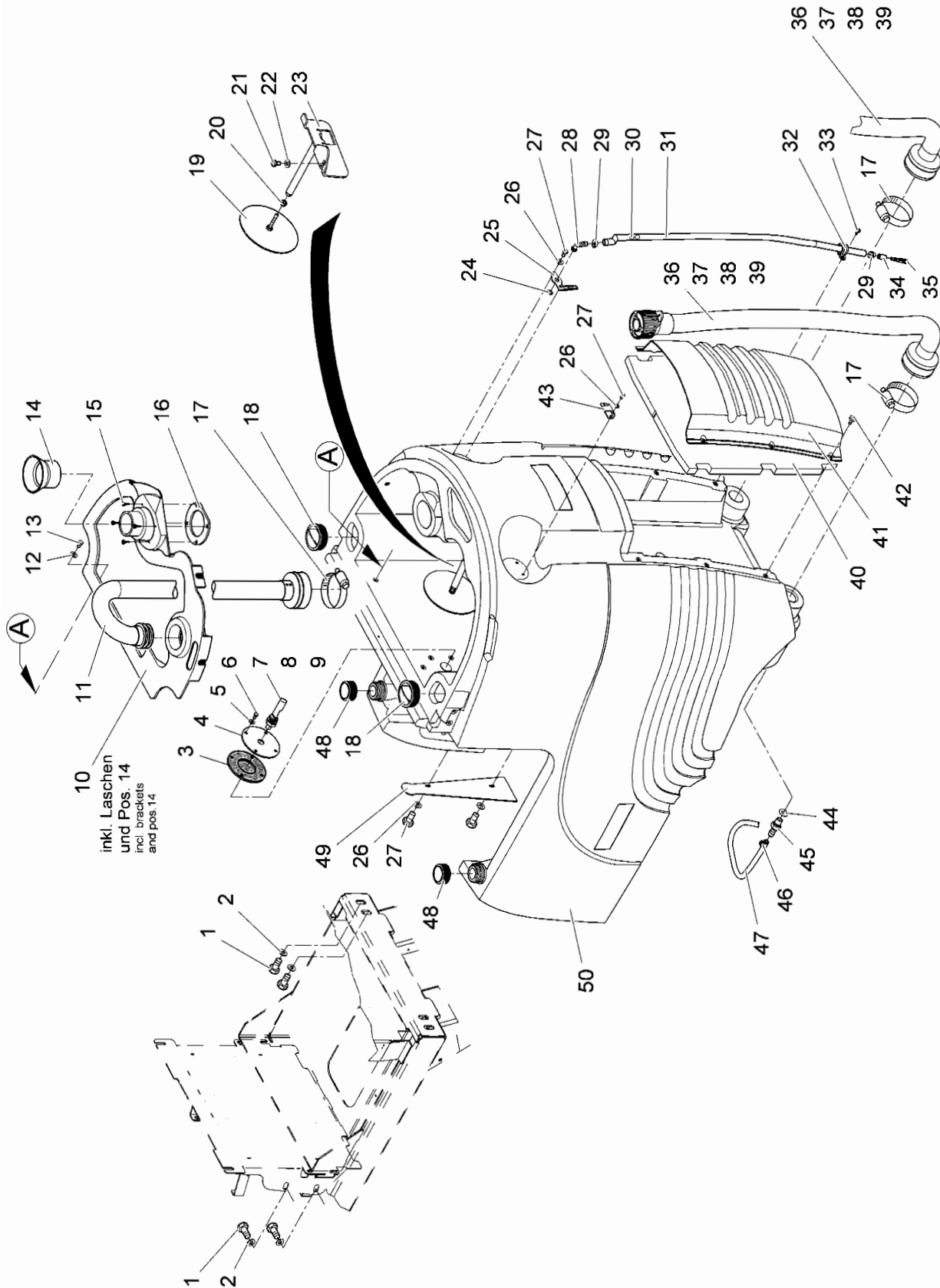


E Ride 30 (99709031) Rev.00 11/13/08				
97073738 Steering Column				
Item	Part Number	Description	Qty.	Notes
1	01140650	Cap	1	
2	00074350	Hex. Nut	1	
3	00075290	Toothed washer	1	
4	00770220	Steering wheel	1	
5	01054880	Bellows	1	
6	00980760	Shaft	1	
7	00153600	Woodruff key	1	
8	00523630	Bushing	2	
9	00554400	O-ring oil resistant	2	
10	03000320	Holder steering wheel	1	
11	00959310	Hex.bolt	4	
12	00746040	Cardan joint	2	
13	00975430	Shaft	1	

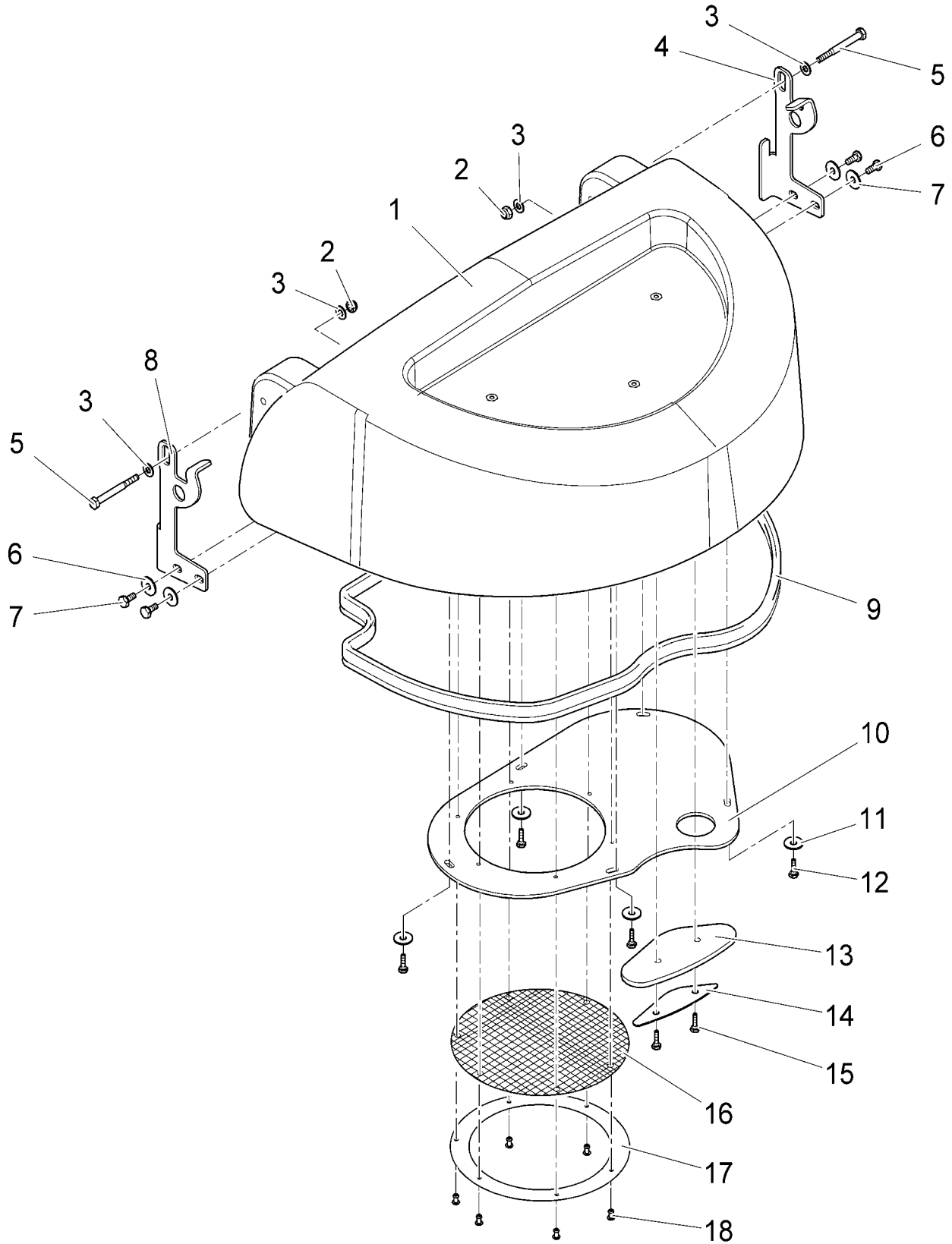


Seat Assembly & Mounting Bracket BOM

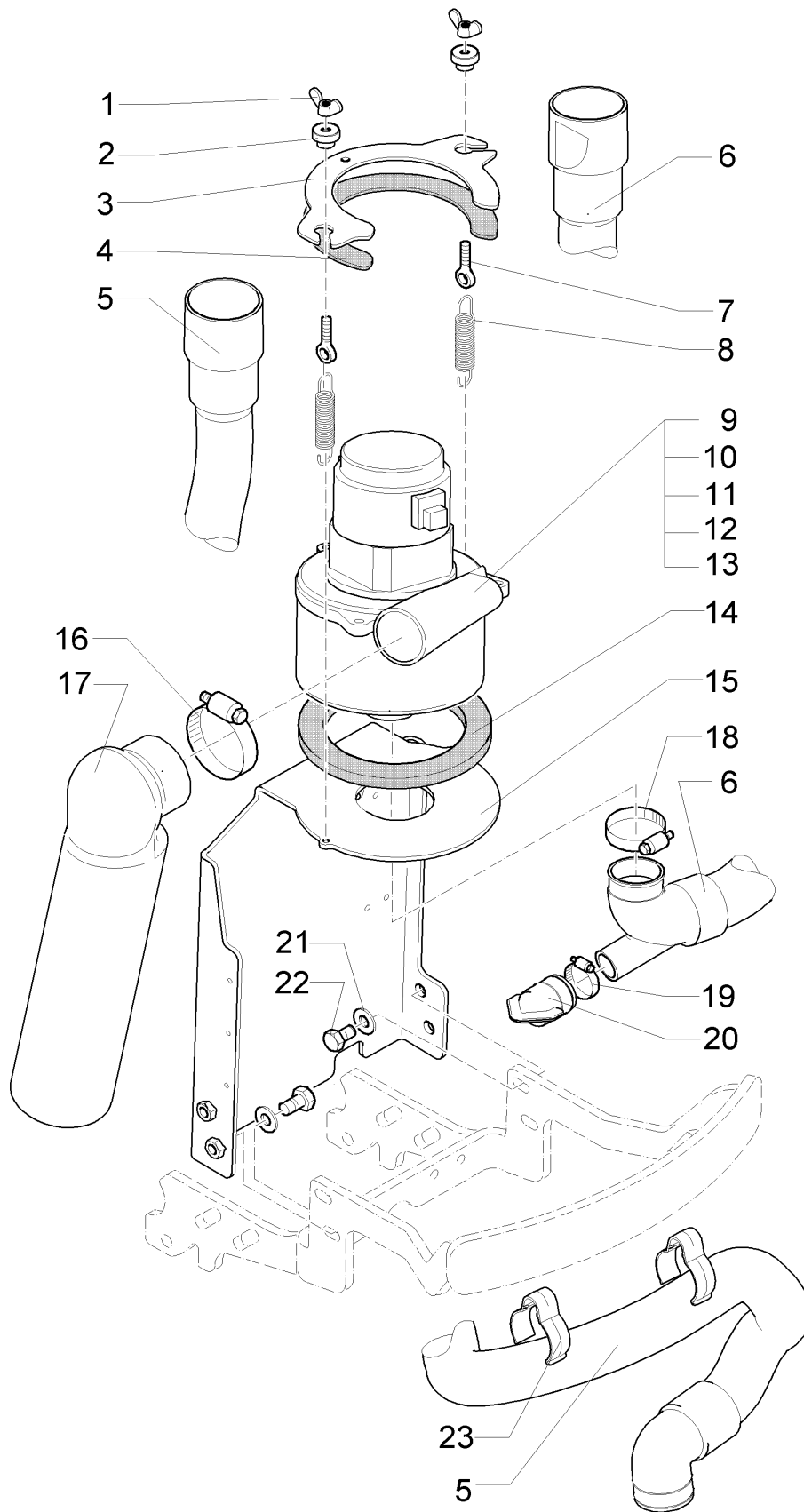
E Ride 30 (99709031) Rev.00 11/13/08				
97107684 Seat Assembly & Mounting Bracket				
Item	Part Number	Description	Qty.	Notes
1	01071360	Seat	1	
2	00133700	Hexagon screw	3	
3	00042900	Washer	6	
4	00053260	Hex.bolt	1	
5	01071710	Decal "Instruction manual"	1	
6	XXXXXXXX	no part-No. til yet	1	96123898 Seat console
6	03000330	Seat console	1	
7	00051510	Hexagon nut	9	
8	01055740	Belt	1	
9	00740090	Detent edged washer	1	
10	00780710	Socket	2	
11	00127340	Tapping screw	2	
12	03000630	Plate contact	1	
13	01073290	Micro switch	1	
14	00073160	Screw	8	
15	00029230	Hinge	4	
16	01063420	Self tapping screw	8	
17	XXXXXXXX	no part-No. til yet	1	Chair cushion SC76 incl. seat switch 01073290
18	00053750	Washer	4	
19	00053090	Hexagon screw	1	
20	03000340	Plate	1	
21	01072970	Adjusting latch	2	
22	03000620	Intermediate sheet	1	
23	00103300	Socket head screw	1	
24	00107140	Dowel pin	1	
25	01072960	Adjusting latch	1	



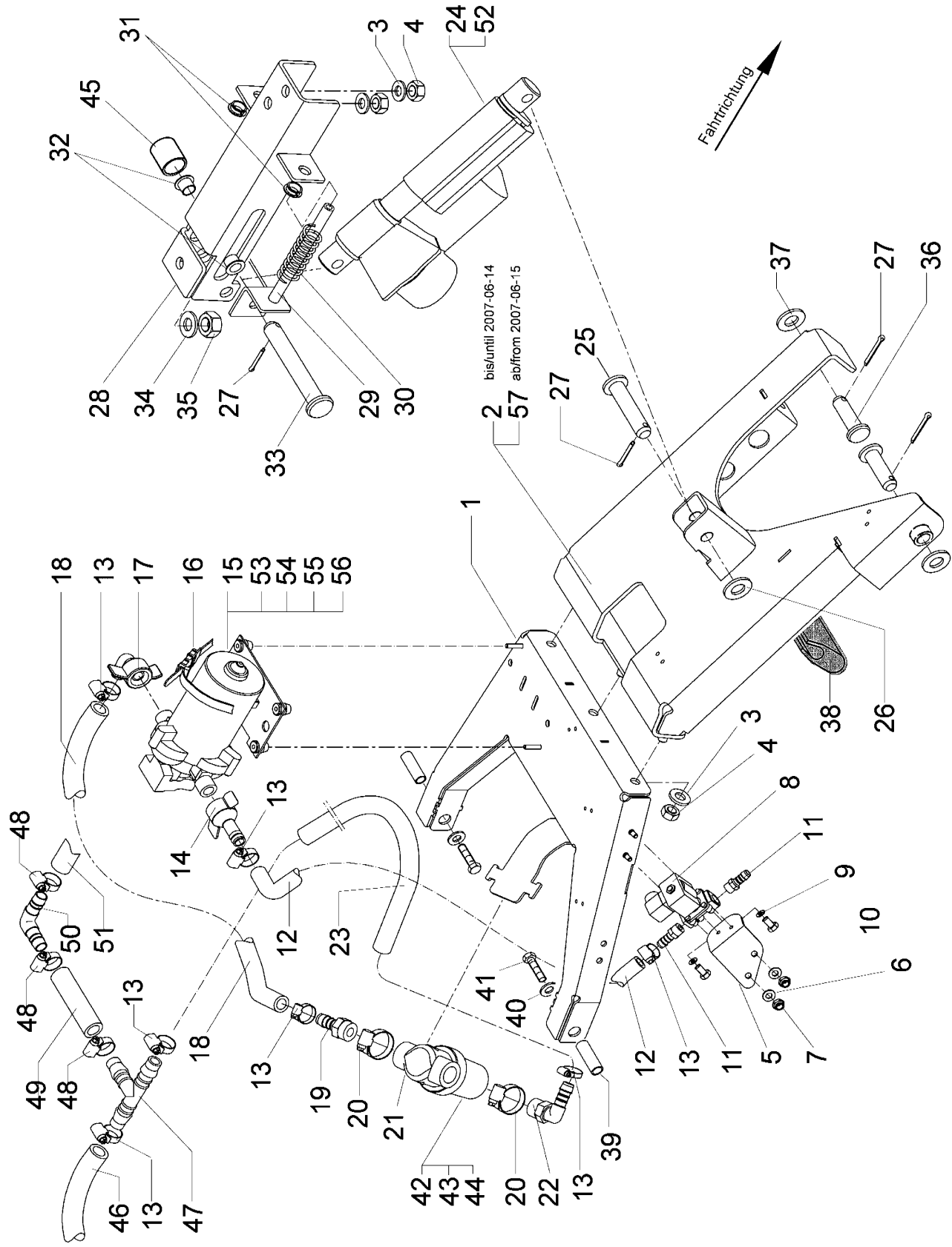
E Ride 30 (99709031) Rev.00 11/13/08				
97107338 Solution Recovery Tank Assembly				
Item	Part Number	Description	Qty.	Notes
1	00053090	Hexagon screw	8	
2	00879170	Washer	8	
3	03000360	Sheet metal	1	
4	01070910	Seal	1	
5	00102150	Washer	4	
6	01071890	Hex.bolt	4	
7	00861620	Float switch	1	
8	00903180	Plastic cover	1	
9	00903170	Tab	1	
10	01076000	Swash guard	1	
11	01075980	Hose	1	
12	00854210	Washer	5	
13	01071890	Hex.bolt	5	
14	01076650	Connection	1	
15	00961490	Self tapping screw	4	
16	01075990	Gasket	1	
17	00736200	Hose clamp	3	
18	01075490	plug	2	
19	03000380	Pressure plate	1	
20	00971400	Hexagon nut	1	
21	01071740	Hex.bolt	1	
22	00902280	Washer	1	
23	03000370	Support, cpl.	1	
24	00045750	O-ring oil resistant	1	
25	01171470	Hose support	1	
26	00053720	Washer	3	
27	00054680	Hex.bolt	3	
28	01171490	Angle socket	1	
29	01171480	Hose clamp	1	
30	01072170	Ball	2	
31	01071790	Hose	780mm	
32	00130250	Pipe clamp	1	
33	00051320	Fillister-head screw	1	
34	01064890	Hose	20 mm	
35	01161210	Reducing fitting	1	
36	01072160	Hose, cpl.	2	
37	00906110	Cover	2	
38	00906100	Fillister-head screw	4	
39	00107270	O-ring	2	
40	01072150	Insulating mat	1	
41	01173620	Cover	1	
42	00556950	Fillister-head screw	6	
43	00903160	Hook	1	
44	00057720	O-ring oil resistant	1	
45	01072180	Screwing in connecting piece	1	
46	00056960	Clamp	1	
47	00711670	Hose	68 lg	
48	01072130	Cover	2	
49	03000390	Sheet metal	1	
50	XXXXXXXX	no part-No. til yet	1	96123427 Tank



E Ride 30 (99709031) Rev.00 11/13/08				
97078505 Cover Tank				
Item	Part Number	Description	Qty.	Notes
1	01170940	Cover, cpl.	1	
2	00051510	Hexagon nut	2	
3	00053750	Washer	4	
4	01071730	Sheet metal	1	
5	00153400	Hex.bolt	2	
6	01071740	Hex.bolt	4	
7	00902280	Washer	4	
8	01071720	Sheet metal	1	
9	01071770	Sealing profile	1780mm	
10	01170950	Plate	1	
11	00854210	Washer	7	
12	01071750	Hexagon screw	5	
13	01075580	Gasket	1	
14	01075590	Sheet metal	1	
15	00854190	Hexagon screw	2	
16	01070920	Strainer	1	
17	03000440	Flange	1	
18	01073330	Rivet	6	



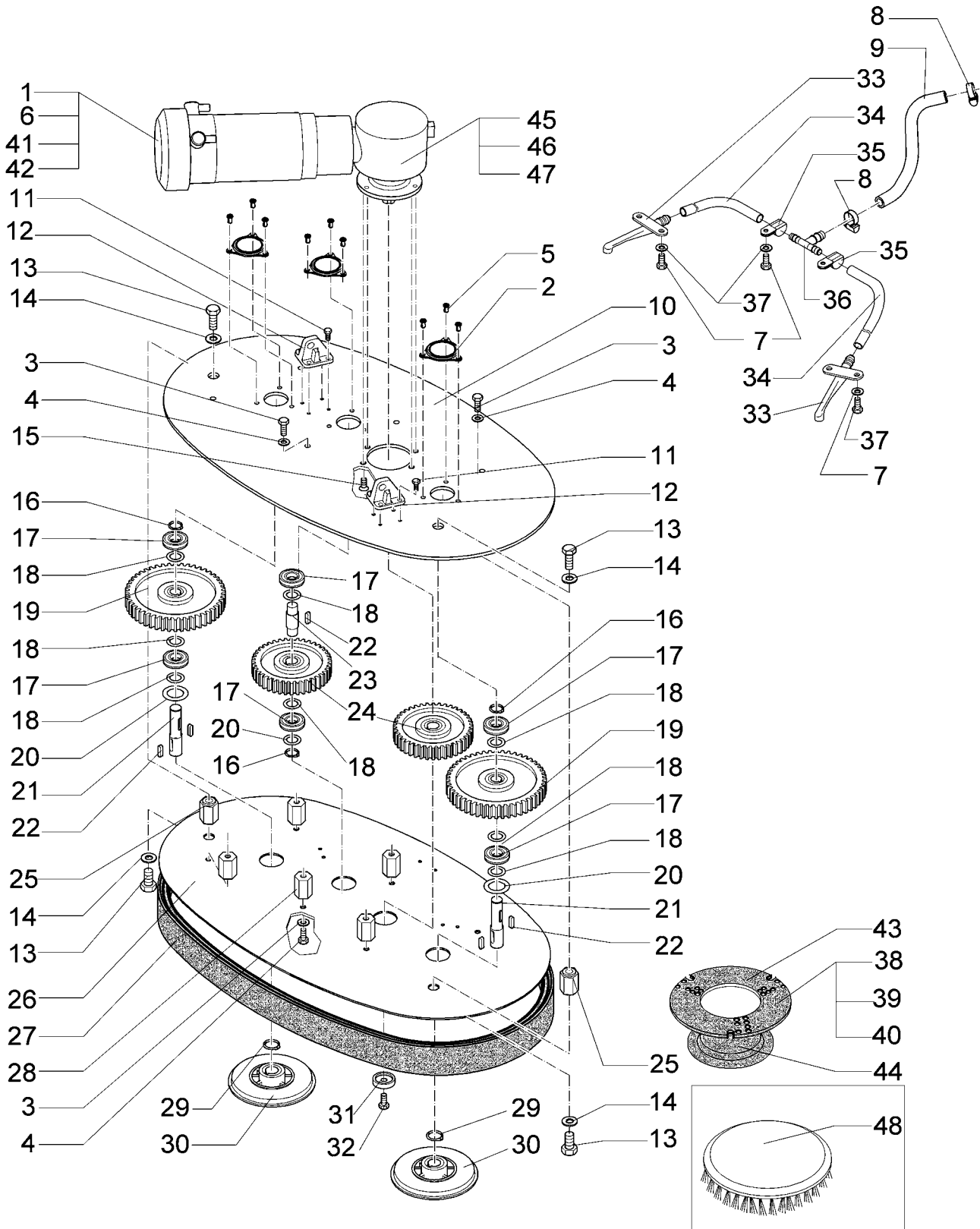
E Ride 30 (99709031) Rev.00 11/13/08				
97079370 Vacuum Motor				
Item	Part Number	Description	Qty.	Notes
1	00054020	Wing nut	2	
2	00903210	Knurled nut	2	
3	01071540	Clamping sheet metal	1	
4	01071550	Seal	1	
5	01071560	Hose	1	
6	01071570	Hose	1	
7	00508770	Eye bolt	2	
8	00109410	Tension spring	2	
9	00543510	Induction engine	1	
10	00904050	Toroidal core	1	
11	00903190	Tab	1	
12	00903180	Plastic cover	1	
13	00048840	Carbon brush	2	
14	01071580	Seal	1	
15	03000450	Support, cpl.	1	
16	00732130	Hose clamp	1	
17	00471570	Hose	1	
18	01071810	Hose clamp	1	
19	00733160	Hose clamp	1	
20	00054560	Valve	1	
21	00740090	Detent edged washer	4	
22	00077110	Hexagon screw	4	
23	01071590	Hose clip	2	



Scrub Head Lift & Solution Pump Assembly BOM

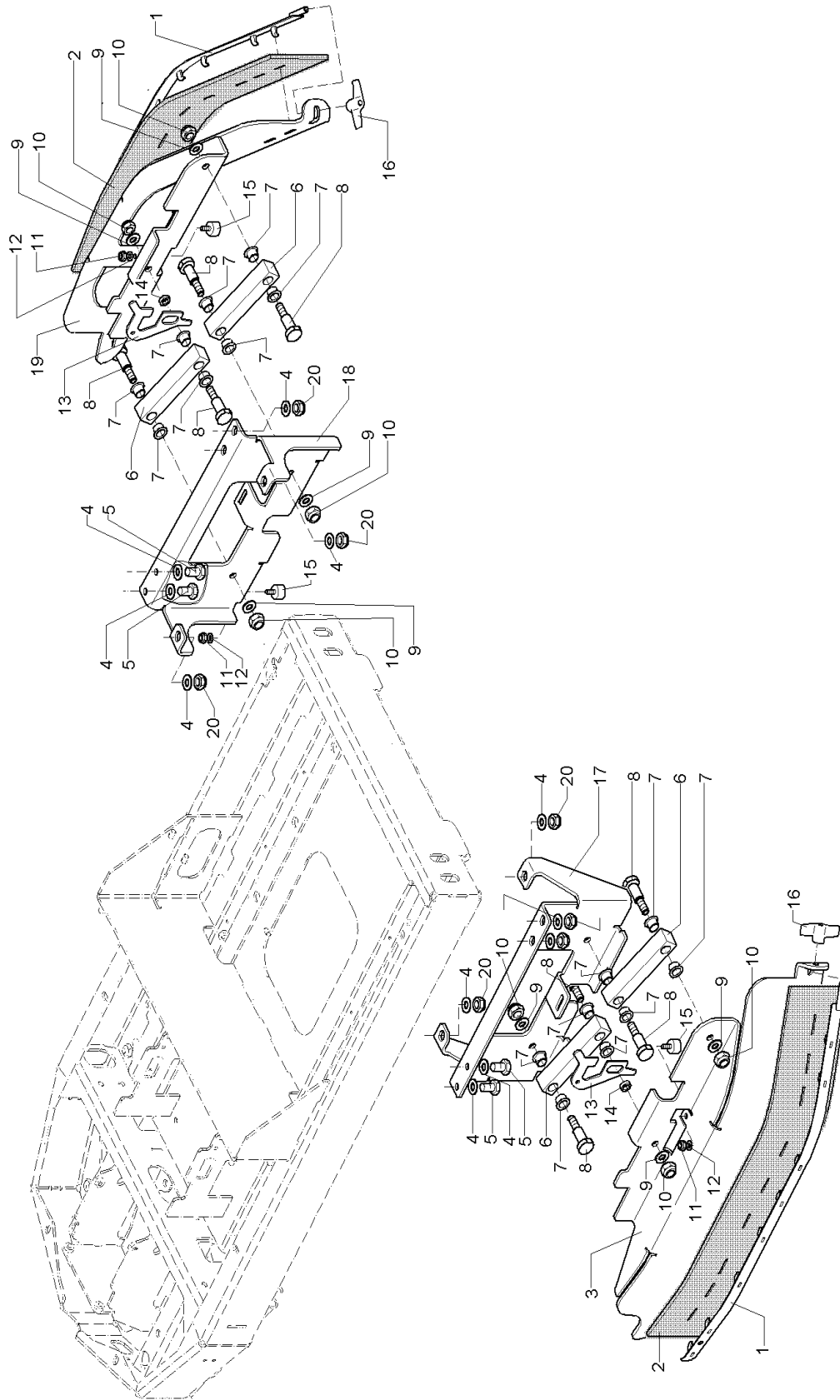
E Ride 30 (99709031) Rev.00 11/13/08				
97092829 Scrub Head & Solution Pump				
Item	Part Number	Description	Qty.	Notes
1	01077330	Lifting fork	1	
2	01170970	Rocker bracket, cpl.	1	until approx. 2007-06-14!
3	00053750	Washer	5	
4	00051510	Hexagon nut	5	
5	03000470	Support	1	
6	00053720	Washer	2	
7	00051340	Hexagon nut	2	
8	01071000	Electrovalve	1	
9	00053710	Washer	2	
10	00058580	Hex.bolt	2	
11	00976140	Screwing in connecting piece	1	
12	00200170	PVC hose	200mm	
13	01015350	Hose clamp	8	
14	01071450	Screwing	1	
15	00543750	Pump	1	
16	01073340	Cable tie	1	
17	00154140	Screwed angle fitting	1	
18	00200170	PVC hose	290mm	
19	01071470	Screwing in connecting piece	1	
20	01071810	Hose clamp	2	
21	01072850	Filter	1	
22	00971440	Angle socket	1	
23	00200170	PVC hose	400mm	
24	01071820	Lifting spindle	1	
25	00059530	Bolt	1	
26	00151200	Washer	1	
27	00553580	Cotter pin	4	
28	03000490	Support, cpl.	1	
29	03003130	Guide holder	1	
30	01001180	Pressure spring	2	
31	00967690	Slide bearing	2	
32	01072930	Plain bearing bush	2	
33	00879630	Bolt	1	
34	00053760	Washer	1	
35	00051500	Hexagon nut	1	
36	00901430	Bolt	2	
37	00053770	Washer	2	
38	01052820	Edge protection	200mm	
39	01073350	Pipe	2	
40	00962220	Washer	2	
41	00151790	Hexagon screw	2	
42	01071010	Filter insert	1	
43	01072830	Sealing ring	1	
44	01072840	Straining cap	1	
45	01072410	Bushing	1	
46	00200170	PVC hose	60mm	
47	01073020	T-piece	1	
48	00529390	Hose clamp	3	
49	00711670	Hose	70mm	
50	01073010	Angle connection piece	1	
51	00711670	Hose	500mm	
52	00962620	Clamp	1	
53	00559670	Case	1	
54	00083640	Plastic cover	1	
55	00083650	Plastic cover	1	
56	00903190	Tab	1	
57	01175300	Rocker	1	from approx. 2007-06-15!

Disk Scrub Head Assembly

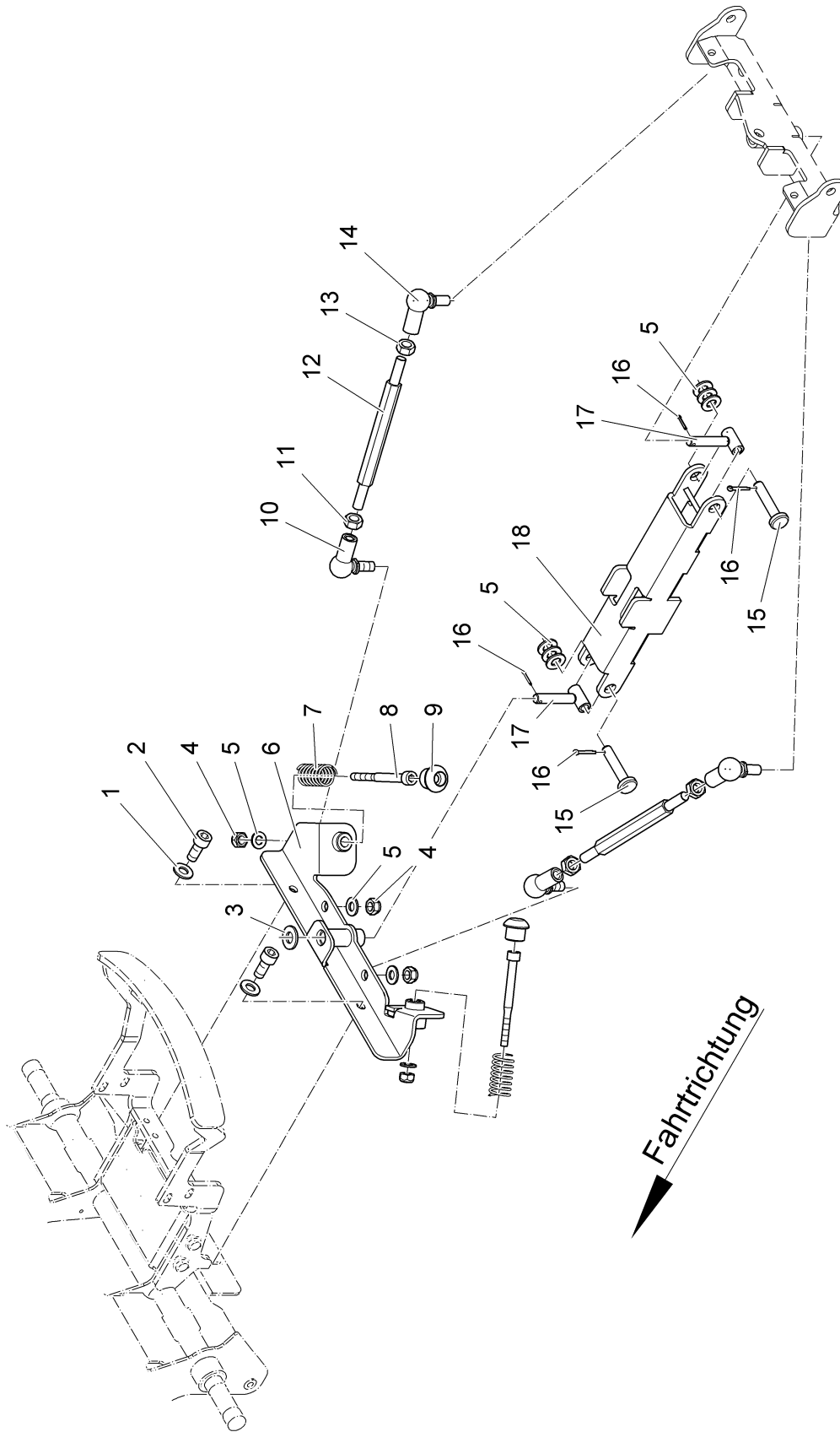


E Ride 30 (99709031) Rev.00 11/13/08				
97093777 Disk Scrub Head				
Item	Part Number	Description	Qty.	Notes
1	01070930	Geared motor	1	
2	01076750	Covering	3	
3	00553690	Hex.bolt	12	
4	00053750	Washer	12	
5	01076740	Rivet	9	
6	00553060	Set (4pc.) carbon brush	1	
7	00053730	Washer	8	
8	01015350	Hose clamp	2	
9	00200170	PVC hose	260mm	
10	01175820	Plate upper	1	
11	00104500	Hexagon screw	8	
12	00901370	Bearing block	2	
13	00101160	Hexagon screw	4	
14	00053770	Washer	4	
15	00705440	Screw	4	
16	00022230	Retaining ring	3	
17	00901380	Deep groove ball bearing	6	
18	00155180	Adjusting washer	8	
19	00712890	Gear wheel	2	
20	01071860	Ring	3	
21	00959680	Shaft	2	
22	00121640	Feather key	5	
23	01071870	Shaft	1	
24	00901100	Gear wheel	2	
25	00959670	Spacer sleeve	2	
26	01175830	Plate lower	1	
27	01175840	Gasket		
28	00901350	Nut	6	
29	00054310	Retaining ring	2	
30	00512400	Carrier	2	
31	00736620	Washer	1	
32	00077110	Hexagon screw	1	
33	00861700	Spray tube	2	
34	00180190	Hose	380mm	
35	00821550	Tube clamp	2	
36	00901310	T-reducer muff	1	
37	00539730	Screw	6	
38	00712010	Center-lock, cpl.	1	
39	00157110	Tapping screw	1	
40	00053720	Washer	1	
41	00112200	Fan hood	1	
42	00112210	Fan wheel	1	
43	00681500	Center-lock, lower part	1	
44	00681490	Center-lock, upper part	1	
45	00967760	Cable tie	2	
46	01073210	Iron sleeve	1	
47	01076490	Bushing	1	
48	99752000	Brush 380 SIC-PA 6	1	

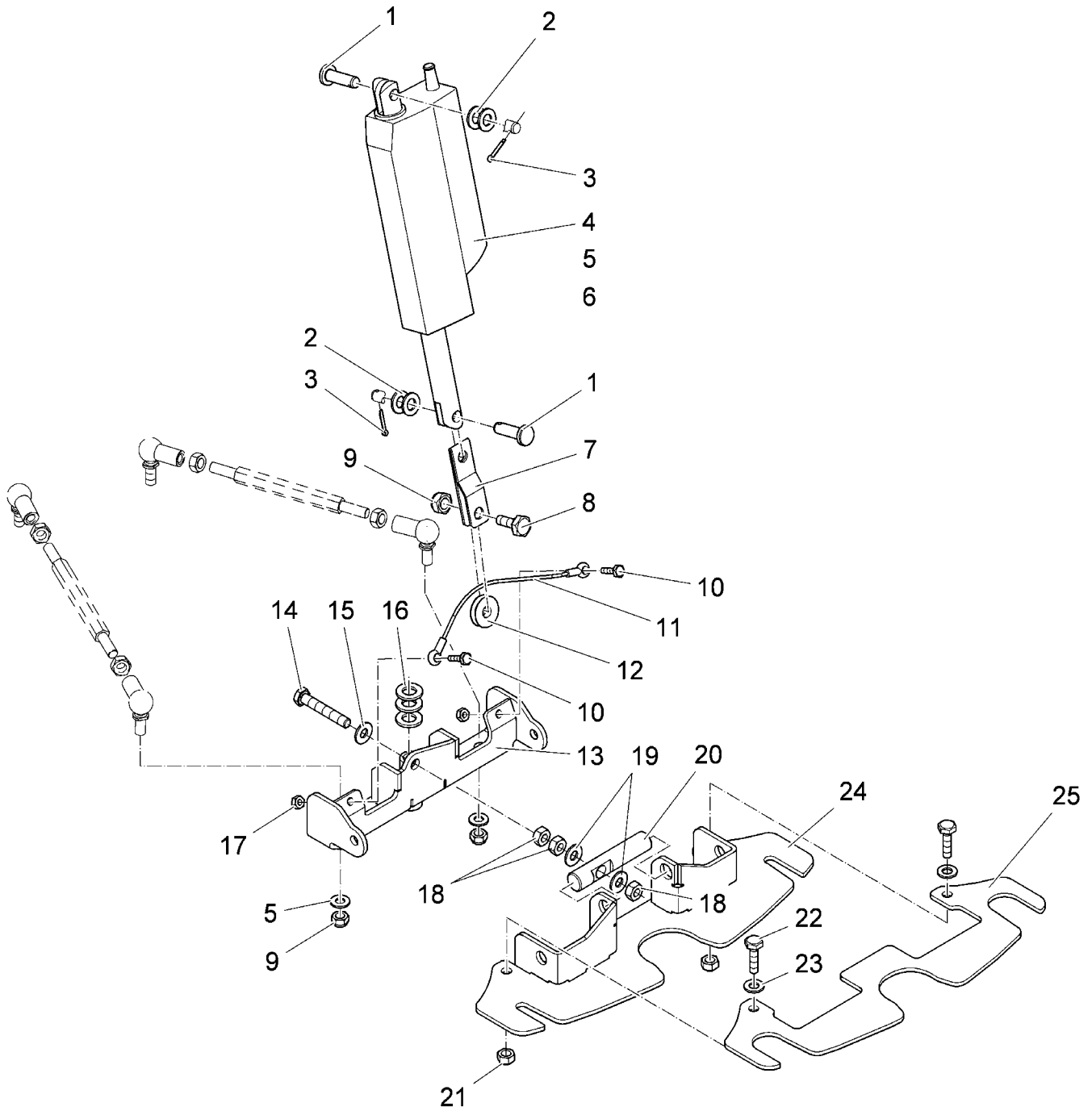
Side Squeegee LH & RH Assembly



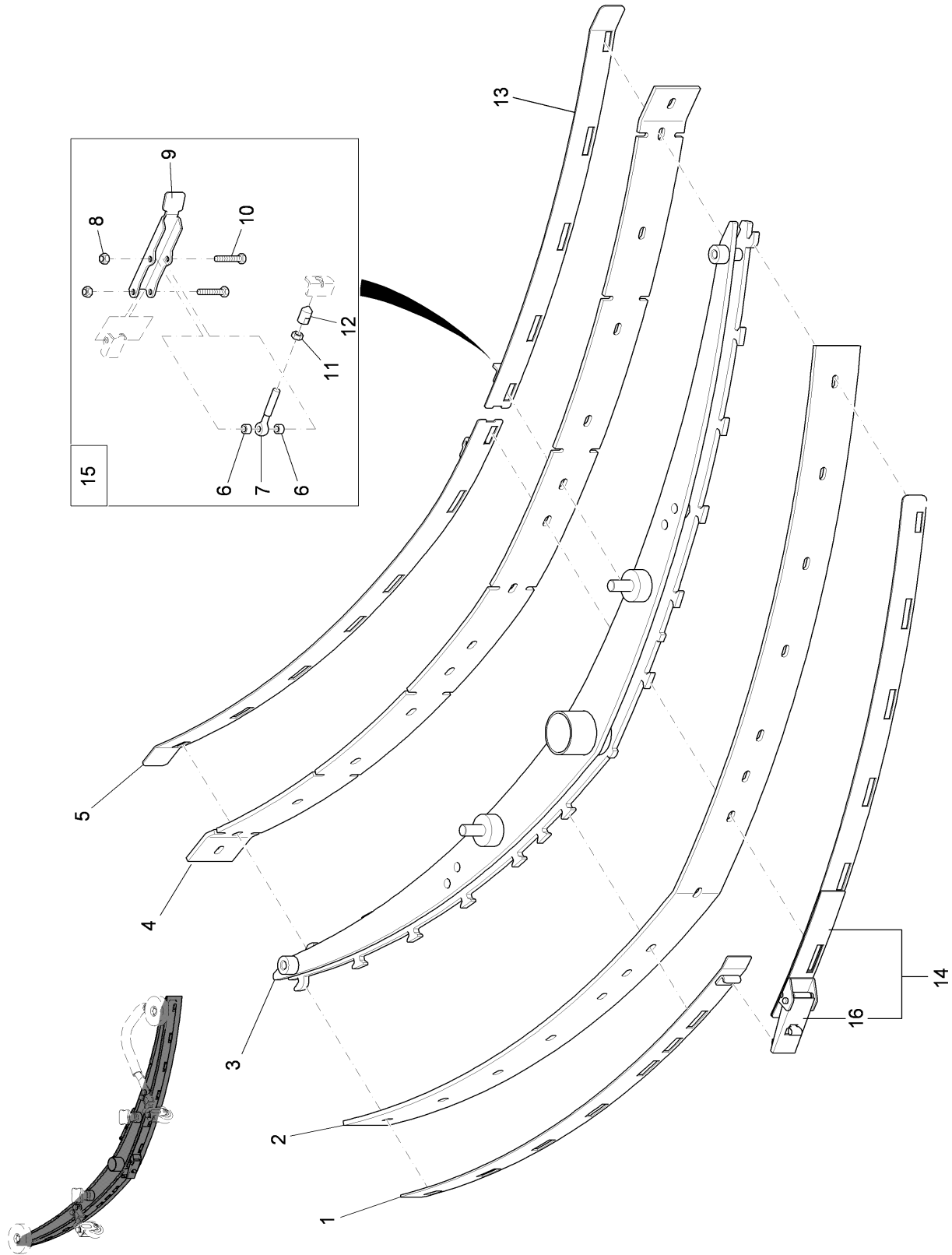
E Ride 30 (99709031) Rev.00 11/13/08				
97083240-97083331 Side Squeegee LH & RH				
Item	Part Number	Description	Qty.	Notes
1	01076840	Tension band	1	
2	01073890	squeegee strip	1	
3	01075440	brush strut L.H., cpl.	1	
4	00042900	Washer	6	
5	00131730	Hex.bolt	2	
6	01073870	lever	2	
7	01073860	slide bearing bush	8	
8	01073910	fitting screw	4	
9	00053760	Washer	4	
10	00051500	Hexagon nut	4	
11	00051520	Hexagon nut	2	
12	00053730	Washer	4	
13	01073880	lock hook	1	
14	01073900	spacer sleeve	1	
15	00854090	Stop buffer	2	
16	00101470	Wing nut	1	
17	03003050	brush holder L.H.	1	
18	03003070	brush holder R.H.	1	
19	01075450	brush strut R.H., cpl.	1	
20	00051510	Hexagon nut	4	



E Ride 30 (99709031) Rev.00 11/13/08				
97100556-1 Squeegee Lift Assembly I				
Item	Part Number	Description	Qty.	Notes
1	00740090	Detent edged washer	2	
2	00103300	Socket head screw	2	
3	00053770	Washer	1	
4	00051500	Hexagon nut	4	
5	00053760	Washer	4	
6	01073110	Support, cpl.	1	
7	01175850	Compression spring	2	
8	00927270	Cylinder head screw	8	
9	01073100	Bushing	2	
10	00527700	Angle joint	2	
11	00053360	Hexagon nut	2	
12	01071460	Threaded rod	2	
13	00704470	Hex. Nut	2	
14	01071490	Angle joint	2	
15	00706440	Bolt	2	
16	00551410	Cotter pin	4	
17	01071500	Guide, cpl.	2	
18	01171410	Retainer	1	

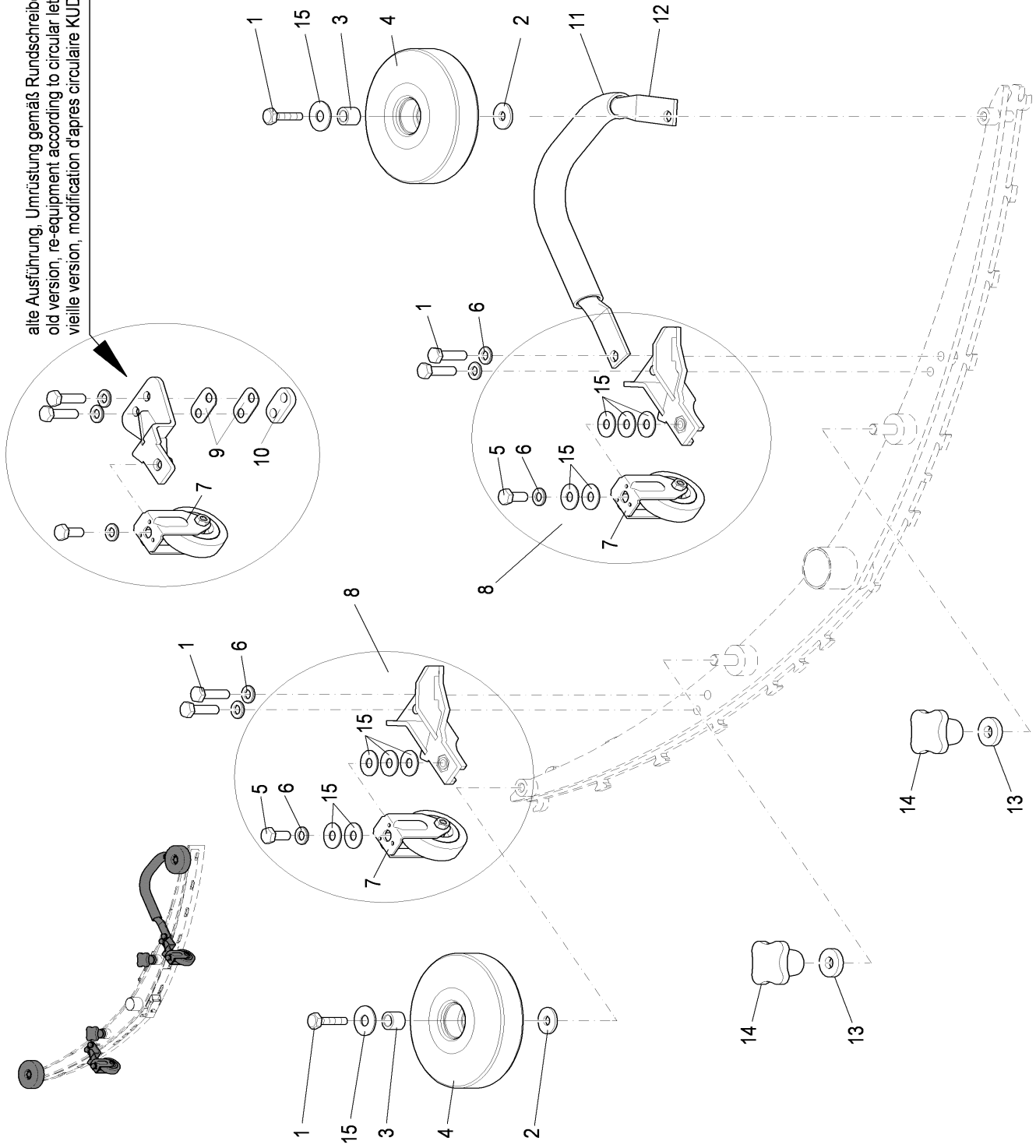


E Ride 30 (99709031) Rev.00 11/13/08				
97100556-2 Squeegee Lift Assembly II				
Item	Part Number	Description	Qty.	Notes
1	00539260	Bolt	2	
2	00053760	Washer	4	
3	00551410	Cotter pin	2	
4	00712430	Lifting element	1	
5	00903190	Tab	1	
6	00903180	Plastic cover	1	
7	01071980	Support	1	
8	00053310	Hexagon screw	1	
9	00051500	Hexagon nut	1	
10	00854190	Hexagon screw	2	
11	01071520	Guidance rope	1	
12	01071510	Roller guide	1	
13	01171420	Retainer	1	
14	00053260	Hex.bolt	1	
15	00740090	Detent edged washer	1	
16	00053770	Washer	3	
17	00053330	Hexagon nut	2	
18	00053350	Hexagon nut	3	
19	00053750	Washer	2	
20	01171510	Pivot bolt	1	
21	00051510	Hexagon nut	2	
22	00053100	Hexagon screw	2	
23	00053750	Washer	2	
24	01171430	Plate	1	
25	01171500	Sheet metal	1	

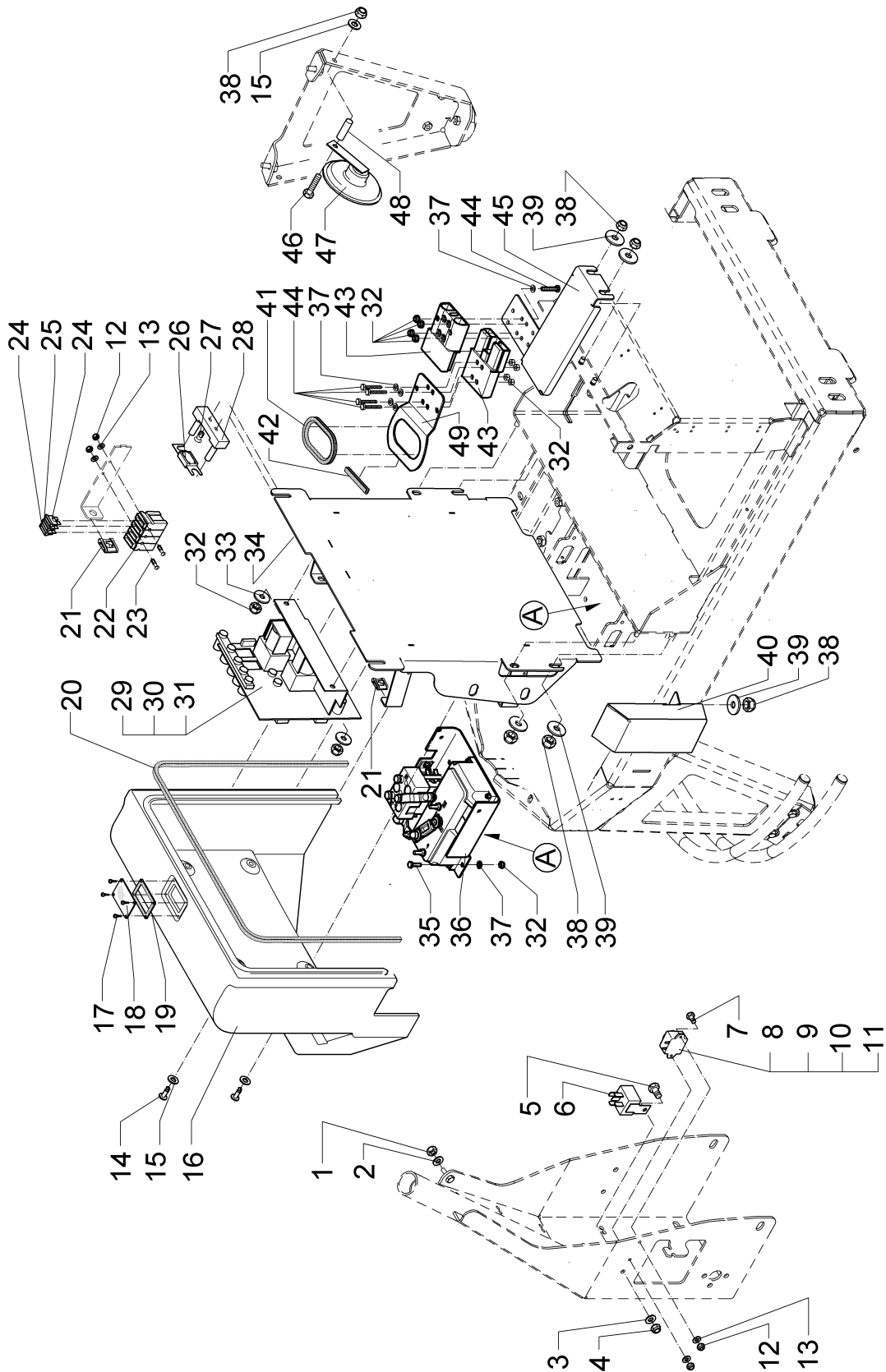


E Ride 30 (99709031) Rev.00 11/13/08				
97094502-1 Squeegee Assembly I				
Item	Part Number	Description	Qty.	Notes
1	01077660	Rear tension band	1	
2	01077480	Sealing strip	1	
3	01077940	Suction unit	1	
4	01077470	Slot strip	1	
5	01077650	Front tension band	1	
6	01077590	Bushing	2	
7	01077500	Eye bolt	1	
8	01017660	Hex. Nut	2	
9	01077580	Lever	1	
10	01079890	Hexagon screw	2	
11	00902250	Hex. Nut	1	
12	01078090	Pressure piece	1	
13	01077640	Front tension band	1	
14	01077670	Rear tension band	1	
15	00009010	Lock suction unit	1	
16	01171810	Lock	1	

alte Ausführung, Umrüstung gemäß Rundschreiben KUD 5 2007
 old version, re-equipment according to circular letter KUD 5 2007
 vieille version, modification d'après circulaire KUD 5 2007

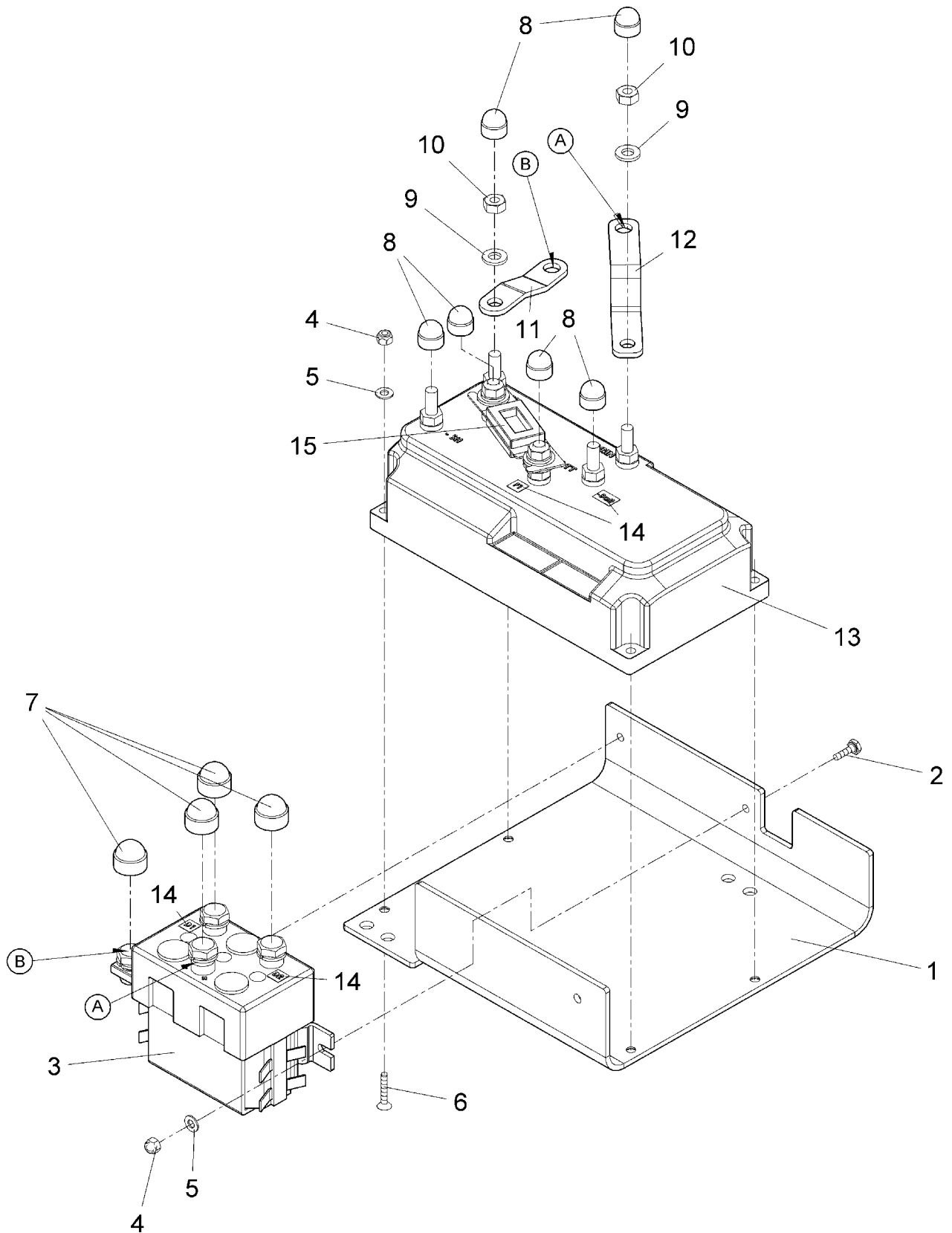


E Ride 30 (99709031) Rev.00 11/13/08				
97094502-2 Squeegee Assembly II				
Item	Part Number	Description	Qty.	Notes
1	01059530	Hexagon screw	6	
2	00902280	Washer	2	
3	00879030	Pipe	2	
4	01171790	Deflector roller	2	
5	01071740	Hex.bolt	2	
6	00101550	Washer	4	
7	01077810	Fixed castor	2	
8	01079070	Fixed castor	2	
9	01077610	Distance piece	2	
10	01077600	Distance piece	1	
11	00911270	Hose	250mm	
12	01077620	Bracket	1	
13	00972060	Disk wheel	2	
14	00866720	Star handle	2	
15	01079080	Spacer	10	

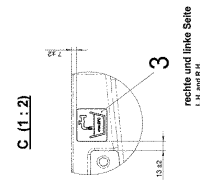
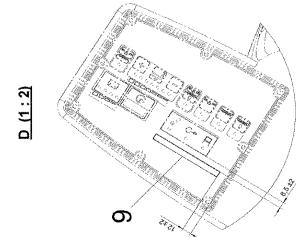
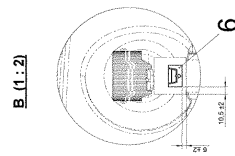
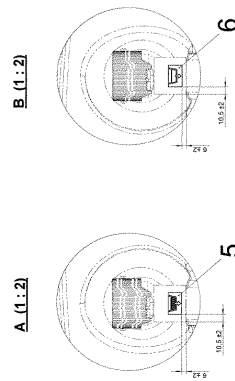
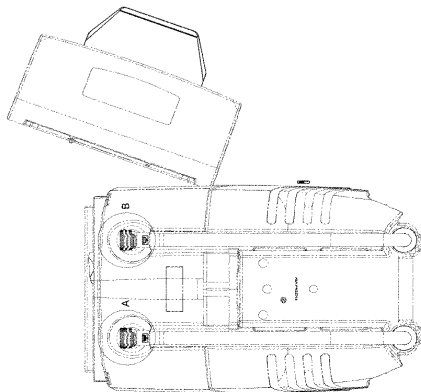
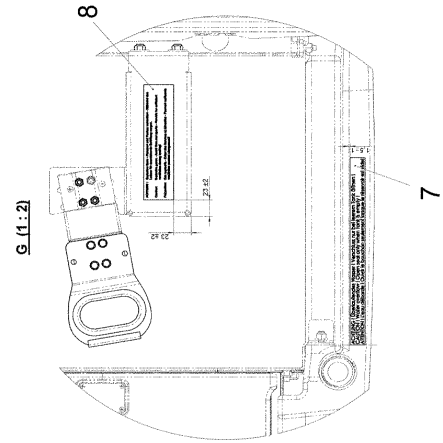
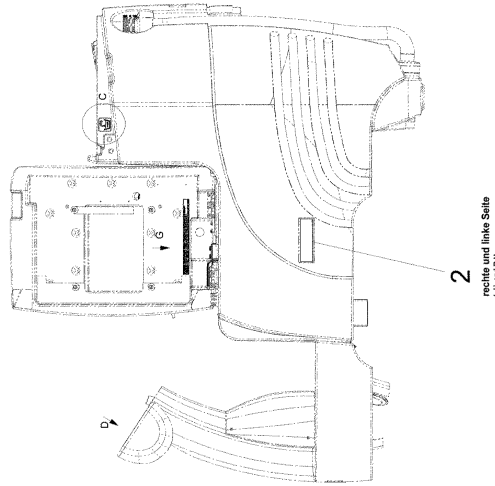
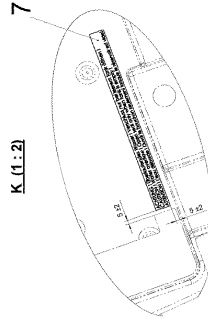
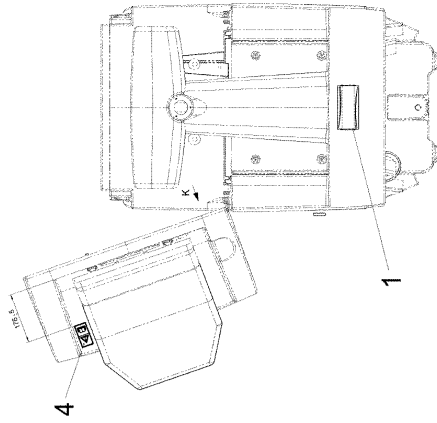


Control Box Electrical BOM

E Ride 30 (99709031) Rev.00 11/13/08				
97107627 Control Box Electrical				
Item	Part Number	Description	Qty.	Notes
1	00053330	Hexagon nut	1	
2	01072030	Toothed washer	1	
3	00053720	Washer	1	
4	00051340	Hexagon nut	1	
5	00152800	Hex.bolt	1	
6	00965030	Relay	1	
7	00042350	Hex.bolt	2	
8	00745850	Signal transmitter	1	
9	00121010	Cable tie	1	
10	00903180	Plastic cover	1	
11	00903170	Tab	2	
12	00022200	Hex. Nut	4	
13	00553740	Washer	4	
14	00740900	Tapping screw	2	
15	00053750	Washer	5	
16	03000530	Covering for electric	1	
17	00902430	Self tapping screw	4	
18	01072050	Inspection glass	1	
19	01072060	Seal	1	
20	00740410	Cord gasket	1150mm	
21	01175860	Snap nut	4	
22	00733650	Fuse holder	3	
23	01072070	Fillister-head screw	2	
24	00733630	Fuse	2	
25	00509550	Fuse	1	
26	00059580	Fuse	1	
27	00157110	Tapping screw	2	
28	00121440	Fuse holder	1	
29	00752920	Module	1	
30	00744700	Fuse	2	
31	00876690	Fuse	2	
32	00051520	Hexagon nut	12	
33	00135120	Washer	2	
34	03000540	Electronic box	1	
35	00053020	Hexagon screw	2	
36	01072090	Retool kit DRIVE CONTROL	1	Available! Pos. has sub-assemblies! See DRIVE CONTROL!
37	00053730	Washer	6	
38	00051510	Hexagon nut	8	
39	00042900	Washer	7	
40	03000550	ventilation duct	1	
41	00721090	Edge protection	2220mm	
42	00721090	Edge protection	700mm	
43	00954520	Charging plug	2	
44	00053290	Hexagon screw	4	
45	03000560	Support	1	
46	00074260	Hex.bolt	1	
47	00852420	Horn	1	
48	00073410	Bushing	1	
49	01056090	Handle	1	



E Ride 30 (99709031) Rev.00 11/13/08				
01072090 Drive Control Contractor				
Item	Part Number	Description	Qty.	Notes
1	01079020	Angle plate	1	
2	00023080	Hex.bolt	2	
3	01079030	Reversion contactor	1	
4	00133830	Hex. Nut	6	
5	00053710	Washer	6	
6	00551120	Screw	4	
7	00131610	Lens cap	4	
8	00525910	Lens cap	6	
9	00053730	Washer	2	
10	00053330	Hexagon nut	2	
11	01079050	Current bar	1	Connection to connection point "FR" of drive control
12	01079040	Current bar	1	Connection to connection point "VMN" of drive control
13	01079060	Driving control	1	
14	03003000	Transparency	4	
15	01058960	Fuse	1	



E Ride 30 (99709031) Rev.00 11/13/08				
97107304 Decals				
Item	Part Number	Description	Qty.	Notes
1	03009000	Decal MINUTEMAN	2	17201195 Decal MINUTEMAN
2	03009010	Decal ERIDE 30	1	17205568 Decal ERide 30
3	01074400	Decal caustic solution tank	2	
4	01071710	Decal "Instruction manual"	1	
5	01170060	Decal FOUL WATER	1	
6	01170150	Decal SOLUTION TANK	1	
7	01175810	Decal CAUTION	2	17269746 Decal Warning
8	01174740	Decal explosive gazes	1	
9	03009020	Decal ERIDE Series	1	17205592 Decal ERide-Series

Minuteman International Made Simple Commercial Limited Warranty

Minuteman International, Inc. warrants to the original purchaser/user that the product is free from defects in workmanship and materials under normal use. Minuteman will, at its option, repair or replace without charge, parts that fail under normal use and service when operated and maintained in accordance with the applicable operation and instruction manuals. All warranty claims must be submitted through and approved by factory authorized repair stations.

This warranty does not apply to normal wear, or to items whose life is dependent on their use and care, such as belts, cords, switches, hoses, rubber parts, electrical motor components or adjustments. Parts manufactured by Minuteman are covered by and subject to the warranties and/or guarantees of their manufacturers. Please contact Minuteman for procedures in warranty claims against these manufacturers.

Special warning to purchaser -- Use of replacement filters and/or prefilters not manufactured by Minuteman or its designated licensees, will void all warranties expressed or implied. A potential health hazard exists without original equipment replacement.

All warranted items become the sole property of Minuteman or its original manufacturer, whichever the case may be.

Minuteman disclaims any implied warranty, including the warranty of merchantability and the warranty of fitness for a particular purpose. Minuteman assumes no responsibility for any special, incidental or consequential damages.

This limited warranty is applicable only in the U.S.A. and Canada, and is extended only to the original user/purchaser of this product. Customers outside the U.S.A. and Canada should contact their local distributor for export warranty policies. Minuteman is not responsible for costs or repairs performed by persons other than those specifically authorized by Minuteman. This warranty does not apply to damage from transportation, alterations by unauthorized persons, misuse or abuse of the equipment, use of non-compatible chemicals, or damage to property, or loss of income due to malfunctions of the product.

If a difficulty develops with this machine, you should contact the dealer from whom it was purchased.

This warranty gives you specific legal rights, and you may have other rights which vary from state to state. Some states do not allow the exclusion or limitation of special, incidental or consequential damages, or limitations on how long an implied warranty lasts, so the above exclusions and limitations may not apply to you.

Cord Electric Group Three years parts, two years labor, ninety days travel (Not to exceed two hours)

Exceptions..... Port-A-Scrub, one year parts, six months labor
MPV 13, one year parts
V-14, one year parts, one year labor
MPV 14 and 18, two years parts, one year labor
RapidAir blower, one year parts, one year labor
Explosion-Proof Vacuum, one year parts, one year labor
X12 and X12H, one year parts, one year labor
TRS 14, one year parts, one year labor

Battery Operated Group..... Three years parts, two years labor, ninety days travel
(Not to exceed two hours)

Exceptions..... Sweepers, one year parts, one year labor, ninety days travel
(Not to exceed two hours)

Internal Combustion Group.... One year parts, one year labor, ninety day travel
(Not to exceed two hours)

Battery Chargers..... One year replacement

Replacement Parts..... Ninety days

Batteries..... 0-3 months replacement, 4-12 months pro-rate

Polypropylene Plastic Tanks... Ten years, no additional labor